

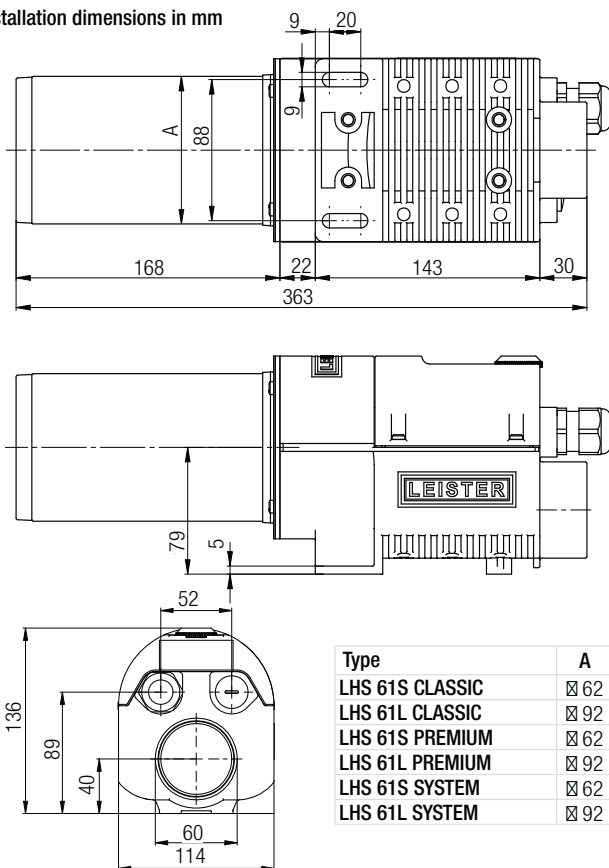
LHS 61: The large powerful models.

The LHS 61 series is your choice for high performance applications. The outlet diameter of 62 mm for LHS 61S versions and 92 mm for LHS 61L versions allow high air flows with up to 16 kW heating power.

Air heater LHS 61



Installation dimensions in mm



Combination possibilities

- Leister air heater at maximum heat power and without nozzle with Leister blower at 50 Hz, 1.5 m hose length and unimpeded air outflow.
- Hot-air temperature 3 mm after air outlet, measured at the hottest point.
- Air flow at 0°C, 101.3 kPa compliant with DIN 1343.

Power Typ	Number LHS 61S x power cons. kW	LHS 61S x Air flow l/min.	LHS 61S Temperature °C
ROBUST	2 × 4.0	2 × 500	490
ROBUST	1 × 6.0	1 × 910	410
SILENCE	2 × 4.0	2 × 620	380
SILENCE	1 × 6.0	1 × 690	500
SILENCE	2 × 4.0	2 × 620	380
SILENCE	2 × 6.0	2 × 590	510
ASO	2 × 4.0	2 × 830	310
ASO	2 × 6.0	2 × 743	430
ASO	4 × 6.0	4 × 667	470
AIRPACK	1 × 4.0	1 × 3080	120
AIRPACK	2 × 4.0	2 × 1730	170
AIRPACK	4 × 4.0	4 × 960	280
AIRPACK	1 × 6.0	1 × 2950	160
AIRPACK	2 × 6.0	2 × 1700	240
AIRPACK	4 × 6.0	4 × 970	390

Power Typ	Number LHS 61L x power cons. kW	LHS 61L x Air flow l/min.	LHS 61L Temperature °C
ROBUST	1 × 8.0	1 × 1038	500
SILENCE	2 × 8.0	2 × 1029	440
SILENCE	1 × 11.0	1 × 1220	480
SILENCE	2 × 11.0	2 × 980	560
AIRPACK	1 × 8.0	1 × 3433	190
AIRPACK	2 × 8.0	2 × 2313	310
AIRPACK	4 × 8.0	4 × 979	510
AIRPACK	1 × 11.0	1 × 3380	230
AIRPACK	2 × 11.0	2 × 1840	380
AIRPACK	4 × 11.0	4 × 1010	590
AIRPACK	1 × 16.0	1 × 3450	360
AIRPACK	2 × 16.0	2 × 1930	550
ASO	1 × 11.0	1 × 1600	390
ASO	2 × 11.0	2 × 1480	420
ASO	4 × 11.0	4 × 1160	520
ASO	1 × 16.0	1 × 1500	610

Air flow and temperature values may deviate from those above based on the design of the entire hot-air system (including nozzles, air hoses, environmental conditions).

Three LHS 61S air heaters with wide slot nozzles in a wrapping line.



Air heater

LHS 61 CLASSIC



Heating power not adjustable

Detection of heating element and device overheating with alarm output

Air heater

LHS 61 PREMIUM



Heating power steplessly adjustable with potentiometer

Protection against heating element and device overheating with alarm output

Air heater

LHS 61 SYSTEM



Heating power or temperature steplessly adjustable with potentiometer or remote control interface

Protection against heating element and device overheating with alarm output

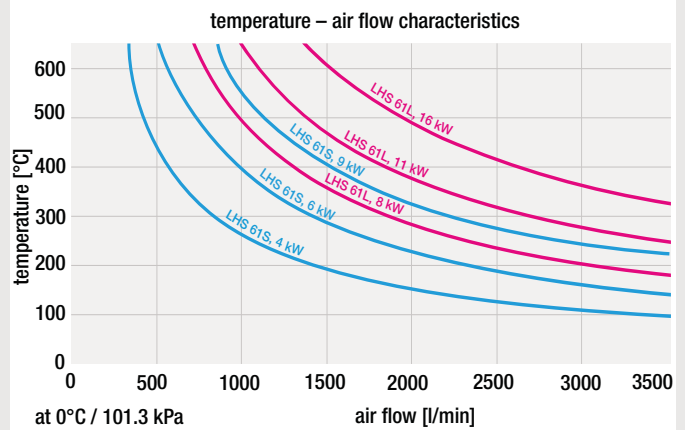
Remote control interface for external temperature controllers (Leister CSS, or PLCs)

Air Heaters
Controllers

Technical data
LHS 61S / 61 L

Max. air outlet temperature	°C	650
Max. air inlet temperature	°C	65
Max. ambient temperature	°C	65
Min. airflow		As per diagram
Max. inlet pressure	kPa	100
Weight 61S / 61L	kg	3.15 / 3.65

Conformity mark	CE
Approval mark	Ⓢ
Protection class I	Ⓛ

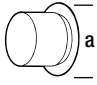
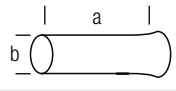
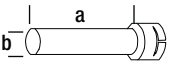
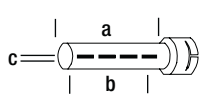

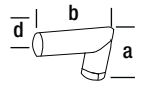
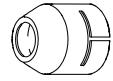
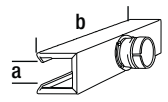
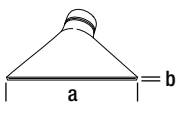
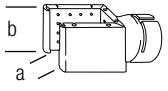



61L		3 x 230		3 x 400		3 x 480	
Voltage	V ~	3 x 230		3 x 400		3 x 480	
Power cons.	kW	8	10	5	8	8	
CLASSIC	Order no.	143.710	143.489	143.711	143.712	143.713	
PREMIUM	Order no.	143.718	143.719	143.720	143.721	143.723	
SYSTEM	Order no.	143.732	143.733	143.734	143.735	143.736	
61L		3 x 400		3 x 480			
Voltage	V ~	3 x 400		3 x 480			
Power cons.	kW	11		16		11 16	
CLASSIC	Order no.	143.699		143.488		143.700 143.487	
PREMIUM	Order no.	143.722		143.485		143.724 143.486	
SYSTEM	Order no.	142.568		143.478		143.737 143.479	

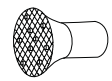
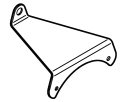


61S		3 x 230		1 x 400	3 x 400	
Voltage	V ~	3 x 230		1 x 400	3 x 400	
Power cons.	kW	4	6	8	8.5	4 6 9
CLASSIC	Order no.	143.707	143.696	142.839	145.732	143.708 143.490 143.697
PREMIUM	Order no.	143.714	143.484		145.442	143.715 143.481 143.716
SYSTEM	Order no.	143.726	143.727		145.734	143.728 142.496 143.729
61S		1 x 480	3 x 480			
Voltage	V ~	1 x 480	3 x 480			
Power cons.	kW	8	4 6			
CLASSIC	Order no.	145.730	143.709 143.698			
PREMIUM	Order no.	145.439	143.717 143.483			
SYSTEM	Order no.	145.733	143.730 143.731			

Accessories 42 / 43

Accessories LHS 61S (∅ 62 mm)

	125.317 Flange connector, push-fit a = 90 mm
	113.351 Extension tube, push-fit 275 × ∅ 62 mm
	107.247 Extension nozzle, push-fit (a × b) 200 × 45 mm
	Tubular nozzle, push-fit (a × b × c) 105.907 354 × 204 × 4.5 mm 105.919 456 × 306 × 3 mm 107.253 700 × 550 × 1.7 mm 114.136 795 × 655 × 1.5 mm 105.906 1100 × 1000 × 4 mm
	127.062 Nozzle adapter ∅ 62 mm, ∅ 60 mm, length 110 mm, to connect with blow- off nozzle
	107.265 Angled nozzle, push-fit (a × b) shank length 120 x 115, ∅ 62 mm
	107.245 Round nozzle, push-fit d = 40 mm
	Shell reflector, push-fit (a × b) 107.342 50 × 400 mm 106.174 65 × 400 mm 106.175 80 × 400 mm
	Wide slot nozzle, push-fit (a × b) 107.260 85 × 15 mm 107.259 150 × 12 mm 105.977 200 × 9 mm 107.263 250 × 12 mm, with sieve insert 107.262 300 × 4 mm 105.992 400 × 4 mm 105.991 500 × 4 mm
	Sieve reflector, push-fit (a × b) 106.143 45 × 75 mm 107.329 70 × 75 mm 107.336 110 × 152 mm
	149.624 Protection tube adapter for LHS 61S

Accessories LHS 61S (∅ 62 mm)

	107.335 Sieve reflector "Douche", push-fit ∅ 150 mm
	133.517 * Thermocouple holder
	144.039 * Compressed air connection
	143.575 * Adapter plate LHS 61S instead LE 5000

* = Only for LHS 61S